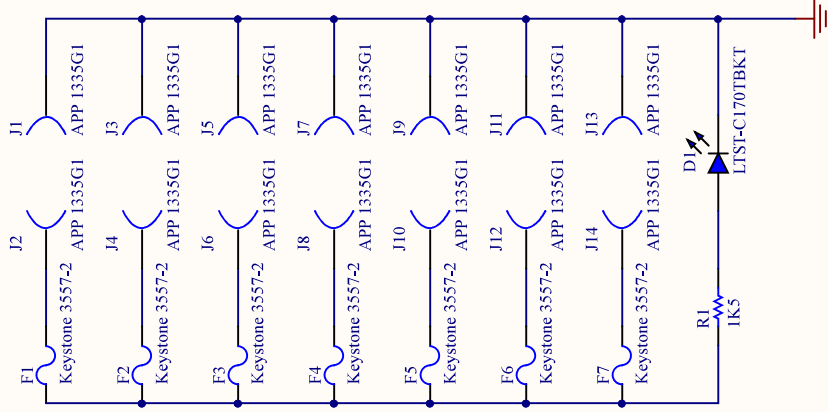


A

B

C

D



Title
Powerpole Distribution Box

Size	Number	Revision
A4		
Date:	8/01/2019	Sheet of
File:	Powerpole.SchDoc	Drawn By: A.Palm / C.Peacock

A

B

C

D