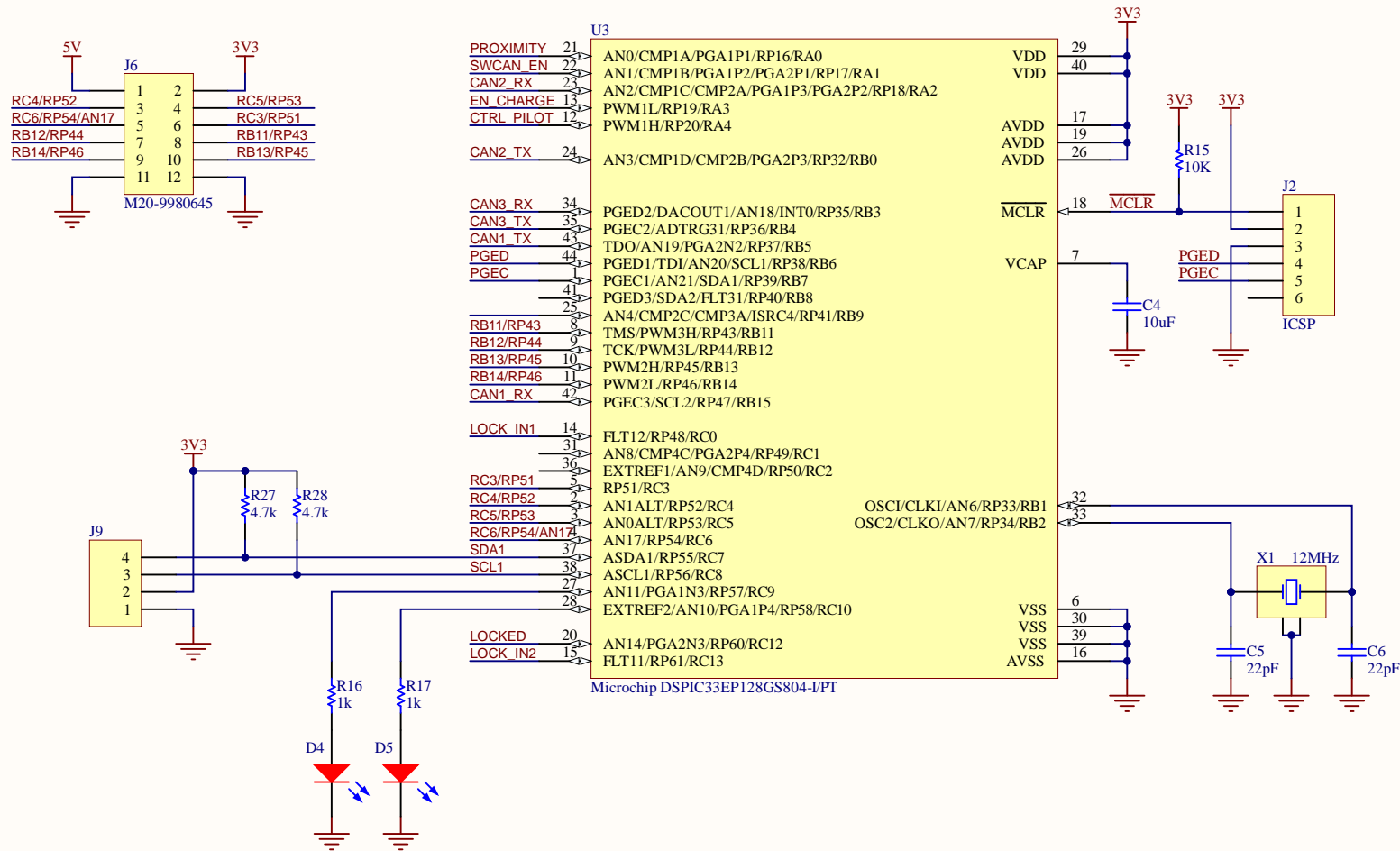
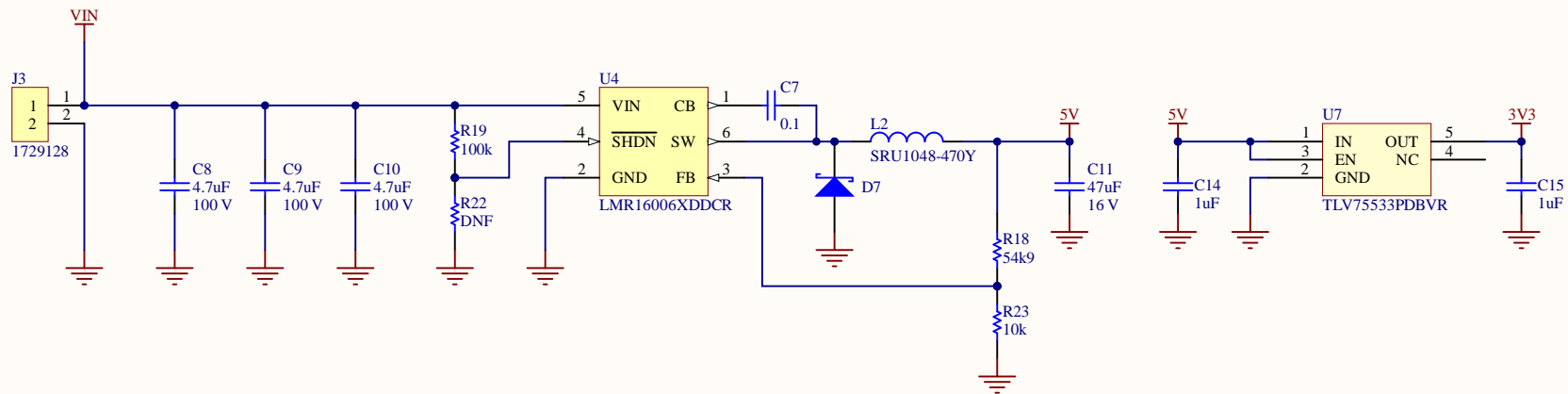


Optional - Tesla SWCAN Support

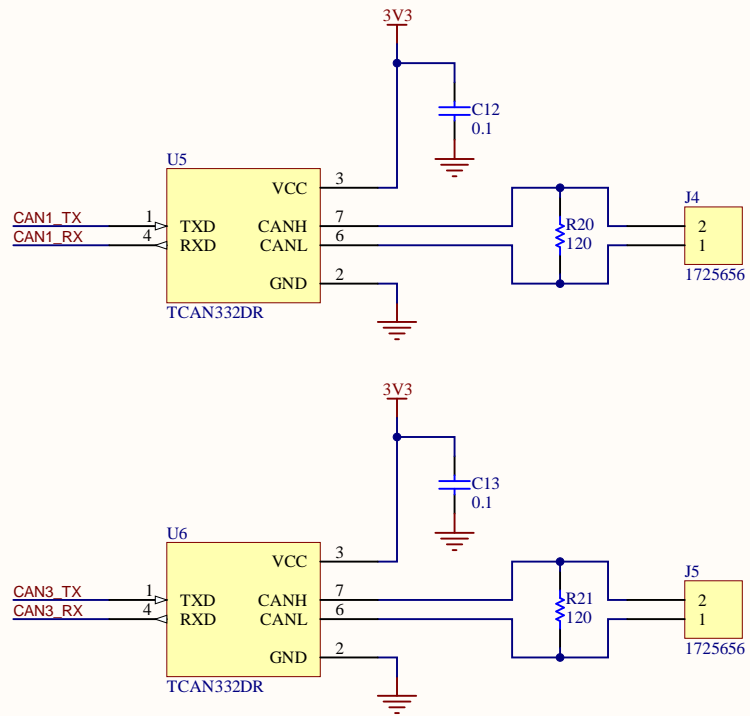
Title		
J1772 / IEC61851 Vehicle Side Interface		
Size	Number	Revision
A4		
Date:	12/27/2021	Sheet of
File:	J1772.SchDoc	Drawn By: C. Peacock



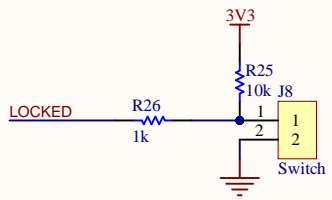
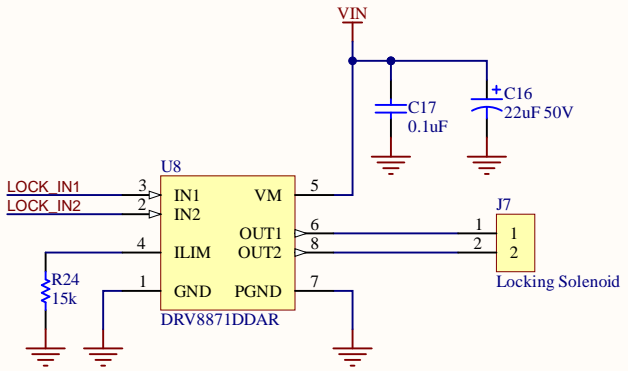
Title J1772 Interface - MCU		
Size A4	Number	Revision
Date: 12/27/2021	Sheet of	
File: MCU.SchDoc	Drawn By: C. Peacock	



Title		
Power Supply, VIN 6 to 60V, VOUT 5V 600mA		
Size	Number	Revision
A4		
Date:	12/27/2021	Sheet of
File:	PowerSupply.SchDoc	Drawn By: C. Peacock



Title		
Controller Area Network (CAN) Interfaces		
Size	Number	Revision
A4		
Date:	12/27/2021	Sheet of
File:	CAN2.0.SchDoc	Drawn By: C. Peacock



Title IEC62196-2 Electromagnetic Locking		
Size A4	Number	Revision
Date: 12/27/2021	Sheet of	
File: Lock.SchDoc	Drawn By: C. Peacock	