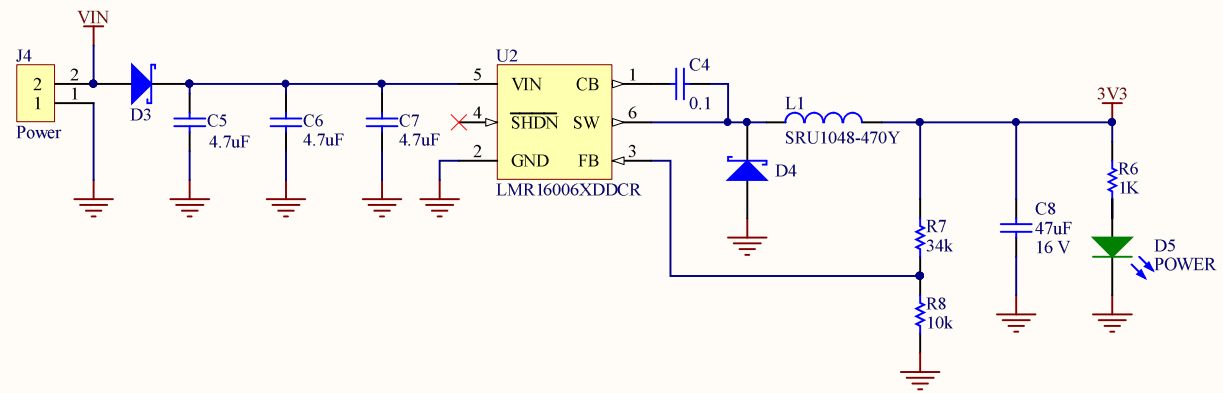
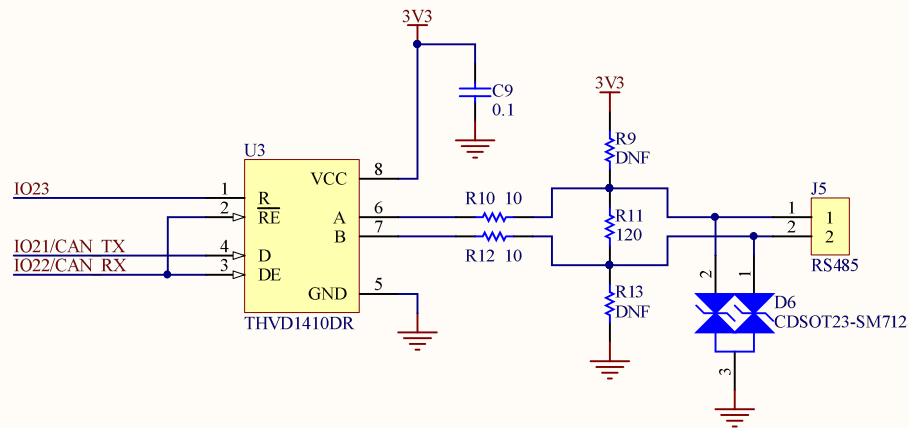


Title		
ESP32 MCU		
Size	Number	Revision
A4		
Date:	3/10/2020	Sheet of
File:	ESP32.SchDoc	Drawn By: C. Peacock



Title Power Supply (VIN 4 - 60V)		
Size A4	Number	Revision
Date: 3/10/2020	Sheet of	
File: PowerSupply.SchDoc	Drawn By: C. Peacock	



Title		
RS-485 Interface		
Size	Number	Revision
A4		
Date:	3/10/2020	Sheet of
File:	RS485.SchDoc	Drawn By: C. Peacock